

SIMPLE, ACCESSIBLE AND COMPACT

INTRODUCING THE SF MELER'S SERIES

| SF

TOTAL ACCESSIBILITY
HIGH PERFORMANCE
EFFICIENCY
EASY TO USE
VERSATILITY

| SF



SIMPLIFIED DESIGN
Simpler for an easier use

EASY TO USE

A unit designed from the user's side, a unit conceived to ease operator's tasks. Focke Meler is committed to develop products that simplify daily work. We will continue offering simple and basic equipment which will be sharing a plain functioning system to facilitate all the operator's tasks.

Easy access to the interior's tank and electrical components within two simple steps.

- **EASE OF USE, INSTALLATION AND MAINTENANCE**
 - Easy from start to finish
- Meler's control panel
- Clean-cut design: based on user's experience
- Simplistic design: providing easy-access to all parts
- Tank lid opening angle – easy adhesive filling process

PLUG & PLAY

"Plug and play" is the concept that has guided this new design. It has all the required and most demanded characteristics for simple adhesive applications. Including both: bead or swirl applications.

The SF 4 model has been specifically developed to be adapted to manual applications with low adhesive consumption.

- **Fast and easy to use**
- Intuitive and simple system

SF SUPER FAST USE

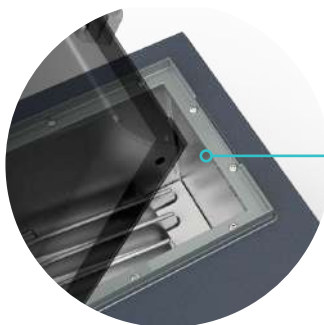


PLUG & PLAY SYSTEM



"SF" MELTERS SERIES

ACCESSIBILITY AND HIGH PERFORMANCE



TOTAL ACCESSIBILITY

Simple access to the tank's interior and electrical components.

The simplification of its design has many benefits for maintenance and also by gaining direct access to all of its components.

Moreover, cleaning of the tank is simplified allowing access to the corners as well as the pump and manifold. They're all fully accessible.

PERFORMANCE AND OPTIMIZATION

The SF series offers a high-quality tank with non-stick materials, reliable pumping capacity and high energy efficiency.

Máximo power: 2 versions, 2cc/rev pump (SF4) and 8cc/rev pump (SF10 & 20) offering power and efficiency.

Its powerful simplicity allows the SF melters series to be synonymous of MAXIMUM PRODUCTIVITY.



meler 
GLUING SOLUTIONS

NEW TO THE GLOBAL MARKET

Adapted to the market
Adapted to customer needs

Possibility to configurate variable speed as optional
Possibility to add more level detectors



KEY ASPECTS

VERSATILE AND FLEXIBILITY

- 3 Sizes, 3 applications



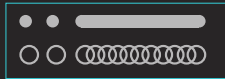
The equipments can be configurable with:

- System that allows the motor to work with **variable speed**
- Level detector can be added

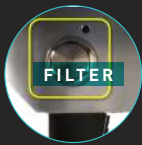


APPLICATIONS

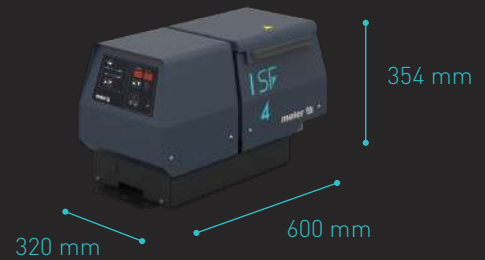
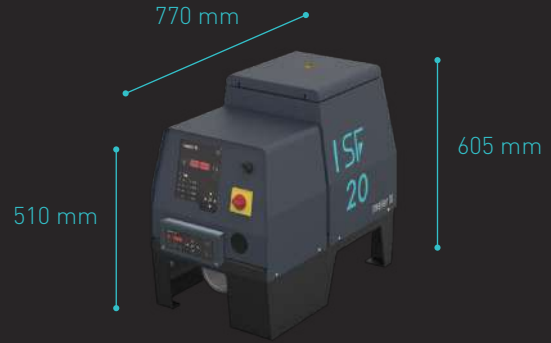
- Manual Applications (SF4)
- **Manual and semi-automatic applications (SF10 & 20)**
- Control production lines (SF10 & 20)
- Bead / Swirl adhesive applications



ACCESSIBLE PARTS



DIMENSIONS



TECHNICAL FEATURES

Tank capacity	4 , 10 & 20 L
Melting rate (*)	Up 6kg/h (SF4) - 9 kg/h (SF 10) - 19,9kg/h (SF 20)
Pumps number	1
Hydraulic outputs	2 (SF4)-4 (SF10 & 20)
Number of electrical outputs	2 (SF 4) 4 (SF 10 & 20)
Motor power	8cc/rev gear pump (SF10 & 20) 2cc/rev (SF4)
Motor speed (*)	FIXED
Motor with temperature sensor	YES(SF10 & 20)
Working temperature	40- 200 °C (104 to 392°F)
Weight	40 kg (SF 4) - 65 kg (SF 10) - 66,5 kg (SF 20)
By-pass valve	Mechanical /Pneumatic (optional)
Working pressure	Up to 80 bar
Electrical connection	120V Single phase (SF4), 230V 2Ph (30A) or 230V 3Ph w/o neutral (SF10 & 20)
Options	Variable speed as optional (external box), Level detector, 230V 3-Phases w/o neutral

(*) Under standard conditions